



# TDG 1730D

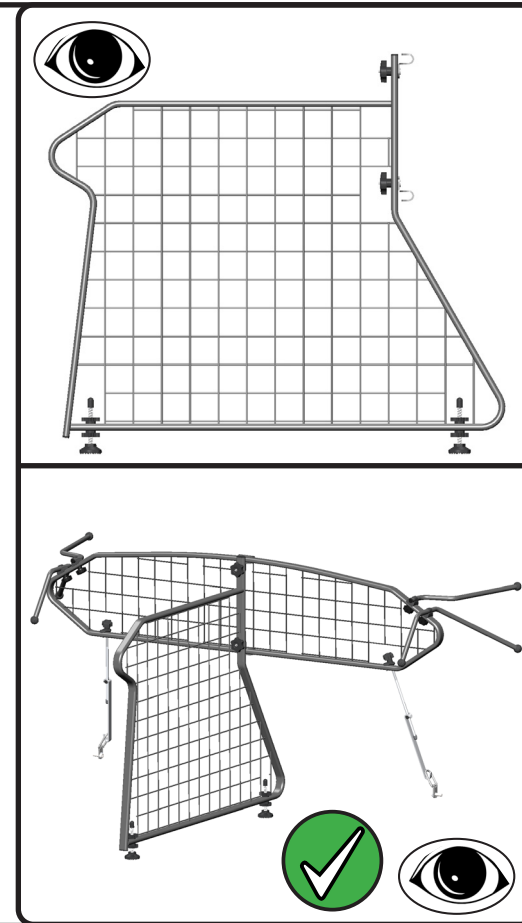
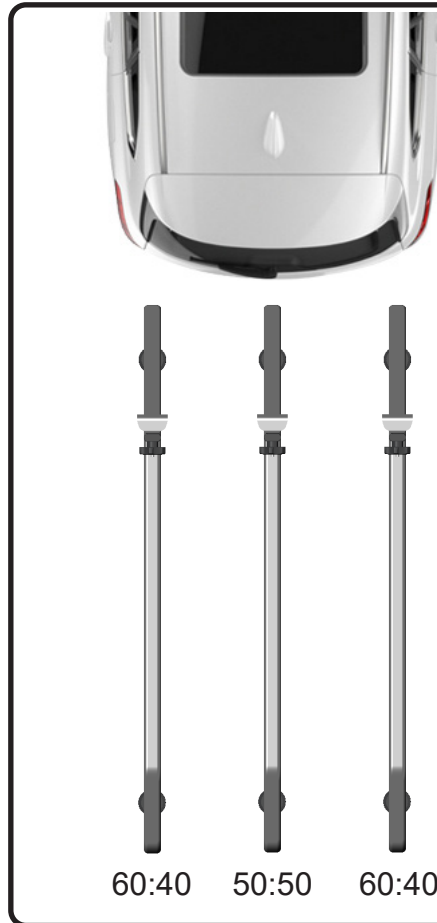
FITTING INSTRUCTION / INSTRUCTION DE MONTAGE / EINBAUANLEITUNG /  
ISTRUZIONI PER L'USO / INSTRUCCIONES DE MONTAJE / MONTAGEHANDLEIDUNG



enjoy the journey.

## BMW X1

LUGGAGE PARTITION DIVIDER / PARTITION CENTALE DE COFFRE À BAGAGES /  
ABTRENNUNG - GEPÄCKKRAUMGITTER / RED DE DIVISIÓN DEL MALETERO /  
DIVISORIO CENTRALE BAGAGLIAIO / DE VERDELER VAN DE BAGAGEVERDELING



### TRAVALL

The contents and parts shown in this fitting instruction is the property of TRAVALL therefore anything shown should not be used for any other manufacturing purposes, copied or replicated in any way without written authorisation from ©TRAVALL.

TRAVALL UNITED KINGDOM  
GOSFORTH ROAD,  
DERBY,  
DE24 8HU,  
United Kingdom,  
E: [Info@travall.com](mailto:Info@travall.com)  
T: +44(0)1332387630

## The Travall Difference

Lifetime Warranty  
100s of Applications

OEM Car Factory Supplier  
Manufacturer for Over 30 Years





# TDG 1730D

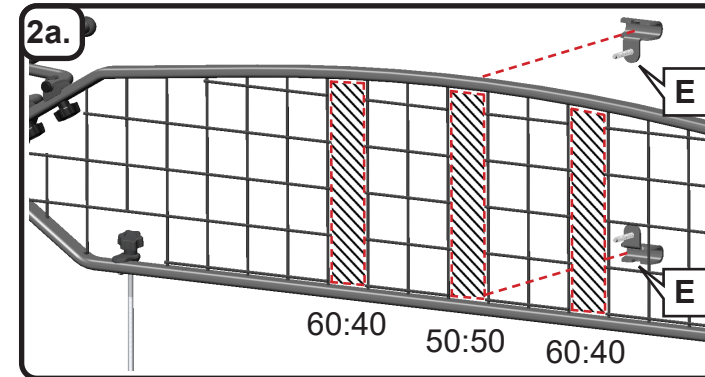
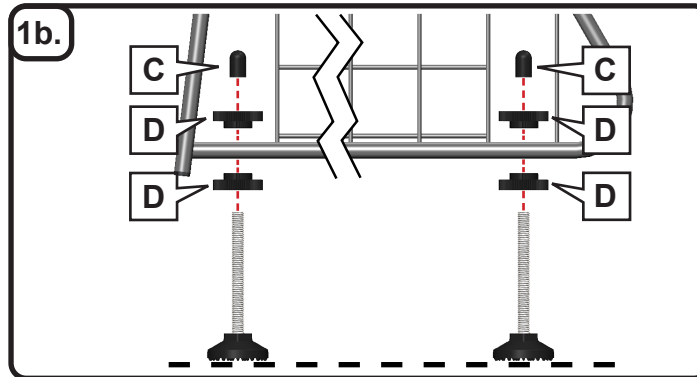
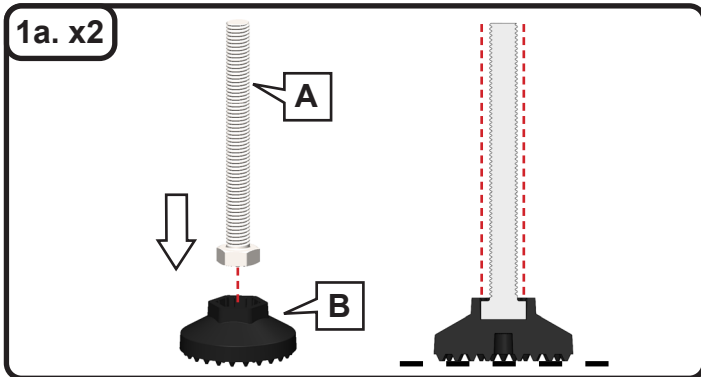
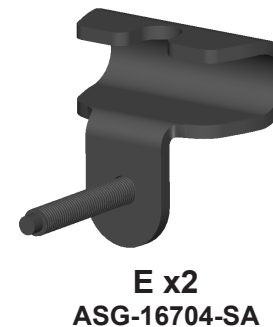
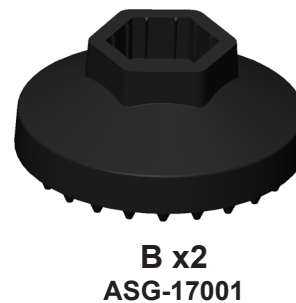
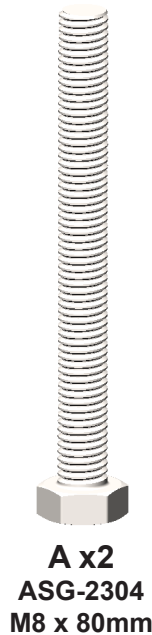
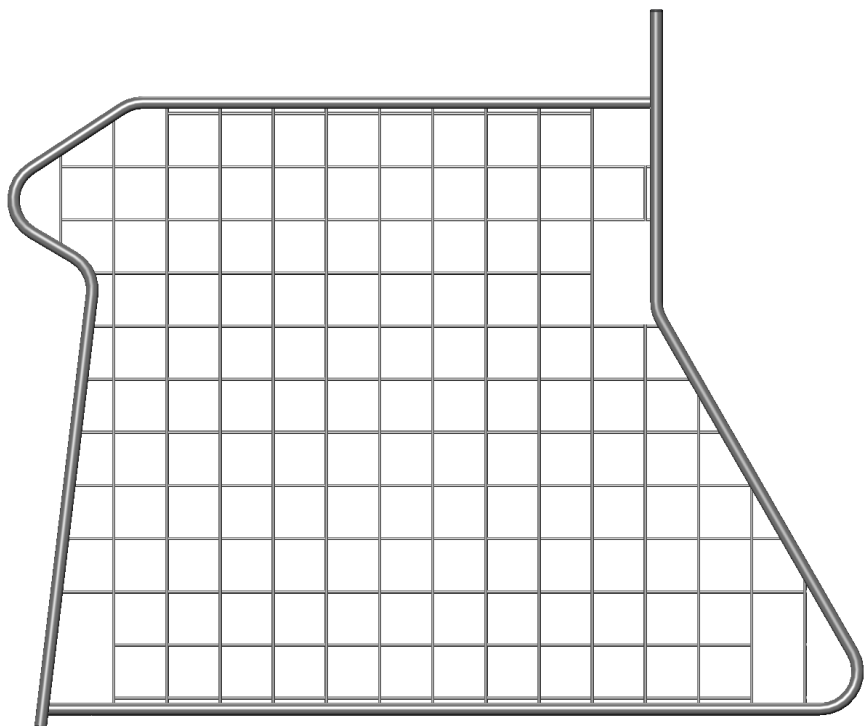
FITTING INSTRUCTION / INSTRUCTION DE MONTAGE / EINBAUANLEITUNG /  
ISTRUZIONI PER L'USO / INSTRUCCIONES DE MONTAJE / MONTAGEHANDLEIDUNG



enjoy the journey.

## BMW X1

LUGGAGE PARTITION DIVIDER / PARTITION CENTALE DE COFFRE À BAGAGES /  
ABTRENNUNG - GEPÄCKRAUMGITTER / RED DE DIVISIÓN DEL MALETERO /  
DIVISORIO CENTRALE BAGAGLIAIO / DE VERDELER VAN DE BAGAGEVERDELING





## BMW X1

LUGGAGE PARTITION DIVIDER / PARTITION CENTALE DE COFFRE À BAGAGES /  
ABTRENNUNG - GEPÄCKKRAUMGITTER / RED DE DIVISIÓN DEL MALETERO /  
DIVISORIO CENTRALE BAGAGLIAIO / DE VERDELER VAN DE BAGAGEVERDELING

